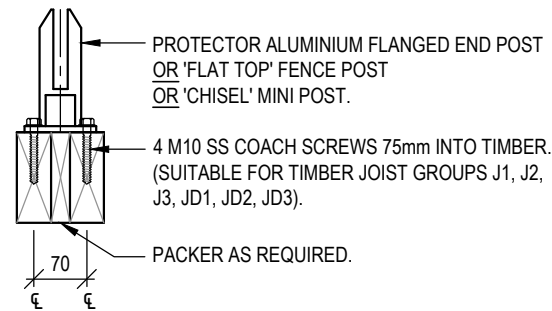
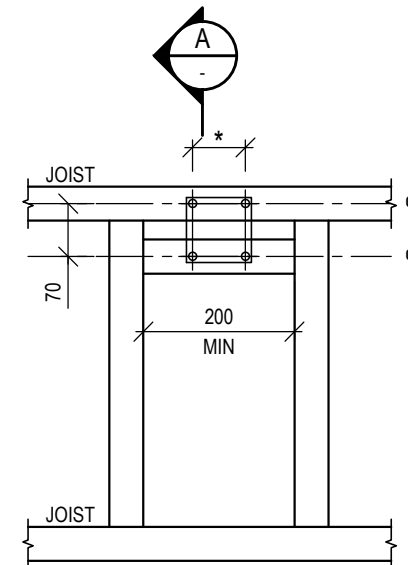


**GENERAL ARRANGEMENT (PLAN)**  
SCALE 1:10



**SECTION A**  
SCALE 1:10

**FIXING ARRANGEMENT FOR FLANGED END POSTS, 'FLAT TOP' FENCE POSTS AND 'CHISEL' MINI POSTS BARRIER - PERPENDICULAR TO LINE OF JOISTS**  
(SUITABLE FOR TIMBER JOIST GROUPS J1, J2, J3, JD1, JD2, JD3).

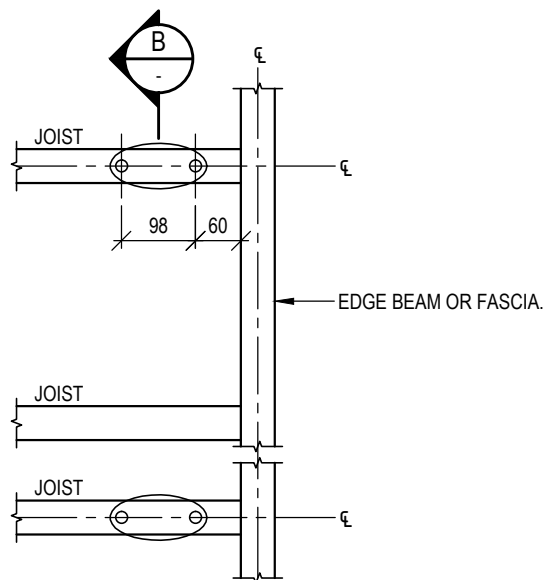


**GENERAL ARRANGEMENT (PLAN)**  
SCALE 1:10

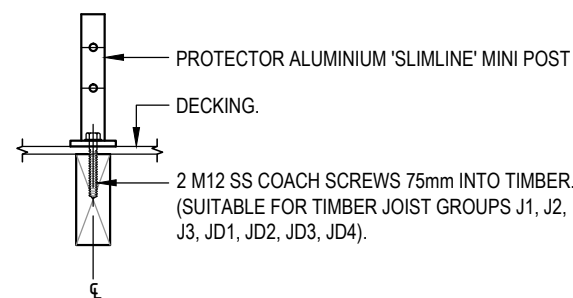
**FIXING ARRANGEMENT FOR FLANGED END POSTS, 'FLAT TOP' AND 'CHISEL' MINI POSTS BARRIER - PARALLEL TO LINE OF JOISTS**  
(SUITABLE FOR TIMBER JOIST GROUPS J1, J2, J3, JD1, JD2, JD3).

- NOTES**
- ALL FIXINGS TO BE LOCATED ON THE CENTRELINE OF TIMBERS.
  - MINIMUM TIMBER WIDTH 45mm (WHEN FIXED TO BRACKETS).
  - THE SPECIFICATION AND FIXING OF ALL PACKING AND BLOCKING TIMBER (INCLUDING CONNECTIONS) IS THE RESPONSIBILITY OF THE DESIGNER OF THE STRUCTURE TO BE FIXED TO.
  - ALL TIMBER TO BE TREATED TO HAZARD CLASS H3 OR POSSESS NATURAL DURABILITY CLASS 1 OR 2.
  - ALL TIMBER AND FIXINGS TO MEET AUSTRALIAN STANDARDS.
  - DETAILS PROVIDED FOR POOL FENCE CONNECTIONS ONLY. NOT APPLICABLE FOR LOCATIONS WITH FALL HEIGHT  $\geq 1.0m$ .
  - M10 SS COACH SCREWS MAY BE REPLACED WITH M10 SS BOLTS (SUITABLE FOR JOIST GROUPS J1, J2, JD1, JD2, JD3, JD4).
  - M12 SS COACH SCREWS MAY BE REPLACED WITH M12 SS BOLTS IF REQUIRED (SUITABLE FOR JOIST GROUPS J1, J2, JD1, JD2, JD3).
  - \* DENOTES  $\epsilon$  TO  $\epsilon$  BOLT SPACING:
    - FLANGED END POSTS - 70mm
    - 'FLAT TOP' FENCE POSTS - 100mm
    - 'CHISEL' MINI POSTS - 70mm.

- JOINT GROUPS**
- PER AS1720.1, STRUCTURAL TIMBER IS CATEGORISED INTO 'JOINT GROUPS' TO DETERMINE THE STRENGTH OF THE TIMBER CONNECTION. THIS VARIES BY TIMBER SPECIES AND DOES NOT DIRECTLY CORRELATE TO ANY OTHER STRENGTH GRADING. IT IS RECOMMENDED THAT THE JOINT GROUP OF A SPECIFIC TIMBER BE NOMINATED BY THE SUPPLIER OR REFERENCED PER AS1720.1-2010 TABLE H2.3, H2.4 AND H3.1. FROM TABLE H3.1 OF THE STANDARD, THE FOLLOWING JOINT GROUPS ARE NOTED FOR MACHINE GRADED PINE:
- MGP10 - NOT SUITABLE
  - MGP12 - JD4
  - MGP15 - JD4
  - A17 - JD3.

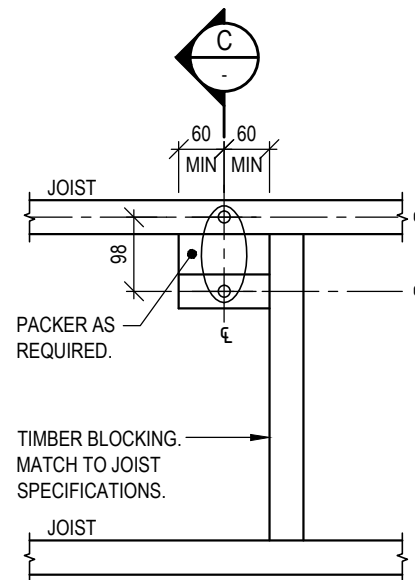


**GENERAL ARRANGEMENT (PLAN)**  
SCALE 1:10

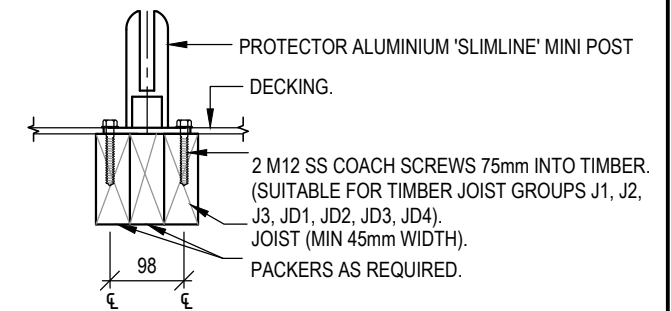


**SECTION B**  
SCALE 1:10

**FIXING ARRANGEMENT FOR 'SLIMLINE' MINI POSTS BARRIER PERPENDICULAR TO LINE OF JOISTS**



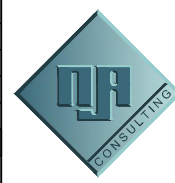
**GENERAL ARRANGEMENT (PLAN)**  
SCALE 1:10



**SECTION C**  
SCALE 1:10

**FIXING ARRANGEMENT FOR 'SLIMLINE' MINI POSTS BARRIER PARALLEL TO LINE OF JOISTS**

REV	DESCRIPTION	DATE	BY	CKD
A	'FLAT TOP' FENCE POSTS ADDED	27.05.2019	AB	AB



**NJA Consulting Pty Ltd**  
ACN 089 515 720  
Suite 14, Level 1, Plaza Chambers  
3-15 Dennis Road, Springwood  
Post Office Box 64 Springwood Qld 4127  
Ph. (07) 3208 4755 Fax. (07) 3208 1822  
www.nja.com.au

DESIGNED	DATE
AB	05/19
CHECKED	DATE
AB	05/19
DRAWN	DATE
MJD	05/19

DRAWING TITLE	
FIXING ARRANGEMENT FOR PROTECTOR ALUMINIUM POOL FENCE BRACKETS TO TIMBER STRUCTURES	
PROJECT	TIMBER DECK FIXING DETAILS
CLIENT	THE PROTECTOR GROUP - PROTECTOR ALUMINIUM - PROTECTOR PREMIUM

TECH APPROVED		
ADAM BUCKLEY RPEQ 14481		
SIZE	SCALE	SHEET
A3	AS SHOWN	1 of 1
DRAWING NUMBER		REV
J190286-01		A